

11. Technical Specifications

Electrical

Power supply:.....electronic auto-ranging
Input voltage range:..... 100-240V, 50/60Hz
Power consumption* @230V: 1020W (I= 4.87A , power factor=0.91)
Fuse:.....T 8 A@230V, T 15 A@120V
*Allow for a deviation of +/-10%

Lamp

Approved model: MSR Platinum 35 (55,000 lumens, CRI>75, CCT=7800K, 750 hrs life)
Base:PGJX 36

Ballast

Electronic

Optical System

High luminous-efficiency glass reflector
zoom range: 8.5 °- 42.5° (gobo) ; 9.8° – 46.5 ° (open hole)

Colour wheel

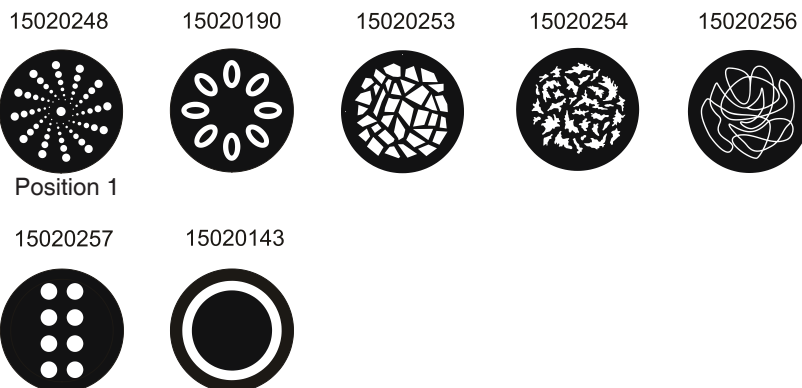
6 dichroic filters + open

CMY + CTO mixing module

Smooth CMY colour mixing system
Colour temperature correction filter lowers the colour temperature to 3200 K
30 colour macros

Rotating gobo wheel 1

6 glass gobos + one dichro gobo can be indexed and rotated in both directions at different speeds
Gobo wheel continuous rotation
Glass gobos: outside diameter=26.8 mm, max. thickness=4 mm, high temperature borofloat or better glass
"Slot&lock" system for easy replacement of gobos



Rotating gobo wheel 2

7 glass gobos can be indexed and rotated in both directions at different speeds
Gobo wheel continuous rotation
Glass gobos: outside diameter=26.8 mm, max. thickness=4 mm, high temperature borofloat or better glass
"Slot&lock" system for easy replacement of gobos

15020255

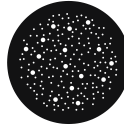


Position 1

15020249



15020250



15020178



15020252



15020251



15030030



Prism

Rotating 5-facet prism with continuous rotation in both directions

Iris

Motorized iris for different beam diameters

Frost filter

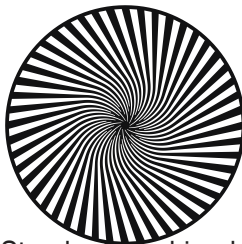
Separate, variable frost filter

Zoom

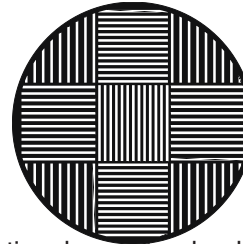
Linear motorized zoom

Dual graphic wheel

2 graphic wheels rotating in both directions



Standard graphic wheels



Optional graphic wheels (included)

Strobe

Strobe effect with variable speed (max.15 flashes/sec.)
Electronic strobbing (max. 33 flashes/sec.)

Dimmer

Smooth dimmer from 0 - 100 %

Control

- Graphic touch screen for fixture setting and addressing
- Gravitation sensor for auto screen positioning
- Battery backup of the touch screen
- Readout fixture and lamp usage, receiving DMX values, temperatures, etc
- Built-in analyzer for easy fault finding, error messages
- Remotely switching on/off the lamp
- Built-in demo sequences
- Black-out while head moving, colour or gobo changing
- Silent fans cooling,
- Self-resetable thermo-fuse
- Stand-alone operation
- 3 user editable programs, each up to 100 steps
- Supported protocols: USITT DMX 512, RDM, ArtNet, MANet, MANet2
- Support of RDM (Remote Device Management)
- 4 DMX modes (38, 31, 29, 40 control channels)

Wireless DMX/RDM module (only for Wireless DMX version)

Compliance with USITT DMX-512 (1986 & 1990) and 512-A
Full DMX fidelity and frame integrity
Auto sensing of DMX frame rate and frame size
<5ms DMX latency
Operational frequency range of 2402-2480 MHz
Producer: LumenRadio

Pan/Tilt

Pan movement range 540°
Tilt movement range 270°
16 bit movement resolution
Automatic Pan/Tilt position correction
Remotely controllable speed of pan/tilt movement for easy programming
Movement control: tracking and vector
Pan/tilt-lock mechanism

Rigging

Mounting points: 2 pairs of 1/4-turn locks
Mounting horizontally or vertically via 2 Omega brackets

Temperatures

Maximum ambient temperature : 45° C
Maximum housing temperature : 100° C

Minimum distances

Min. distance from flammable surfaces: 1 m
Min. distance to alight object: 5 m

Connection

DMX data in/out: Locking 3-pin and 5-pin XLR
ArtNet: RJ 45 (Neutrik Ethercon)
AC power IN: Chassis connector Neutrik PowerCon, A-type, NAC3MPA

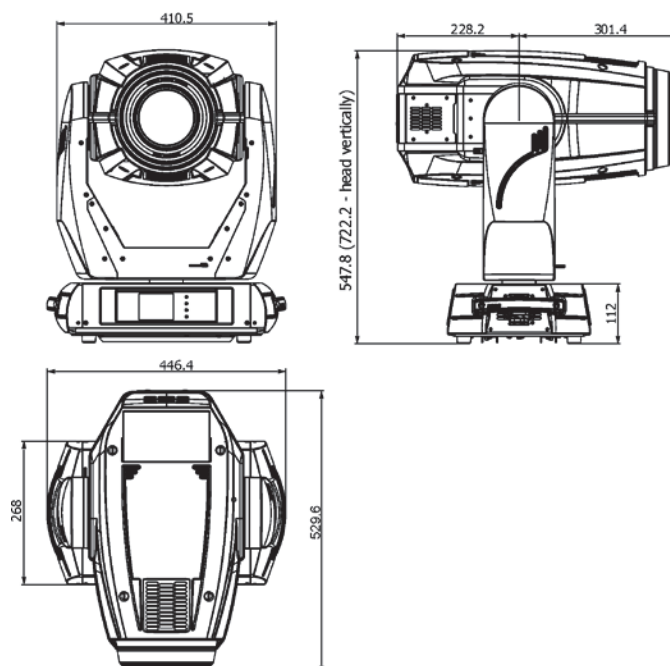
Total heat dissipation

3480 BTU/h (calculated)

Weight (net):

25.5 kg

Dimensions (mm)



Accessories

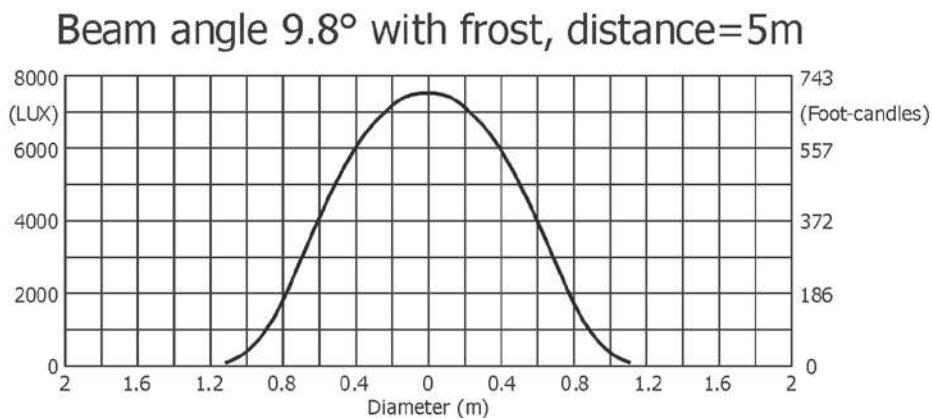
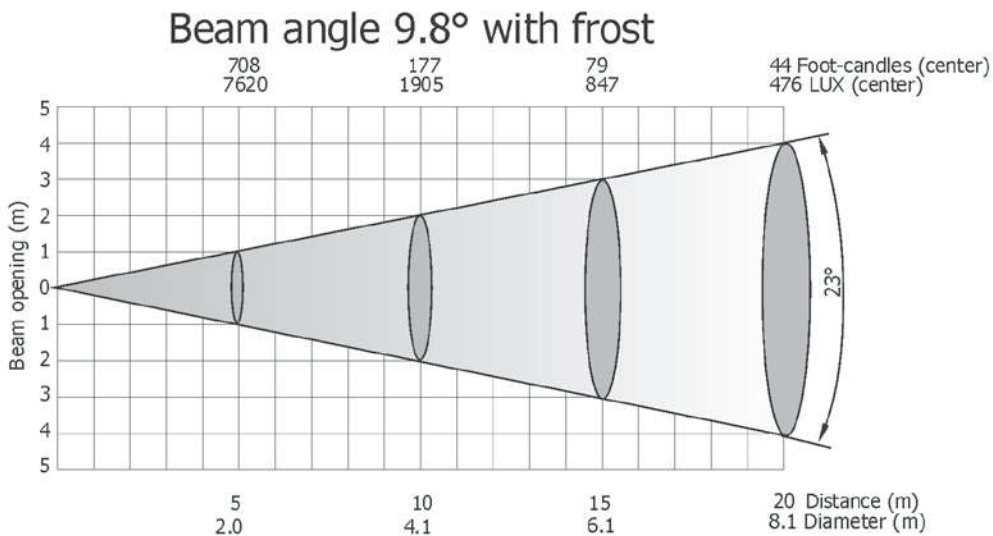
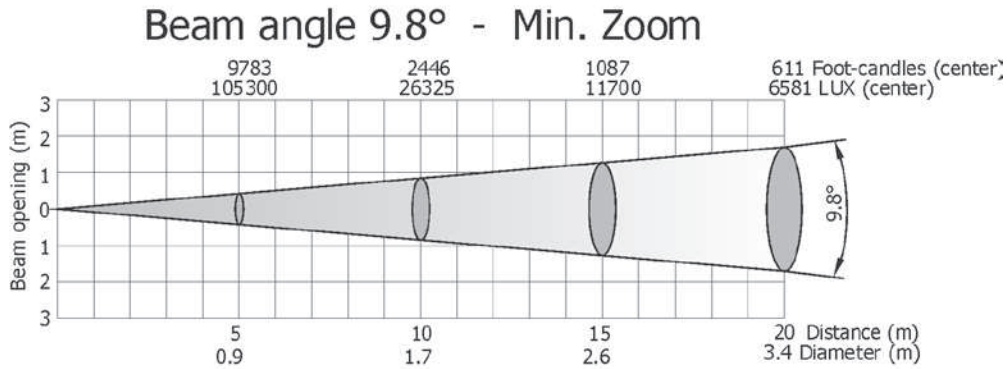
- Omega holder (No.99010420).....2 pcs
- Gobo-set 16 (No. 15050025) 1 pc
- Dual graphic wheel (11020170)..... 2 pcs
- Mains cable1 pc

Optional Accessories

- Flash cable RS232/DMX (No.13050624)

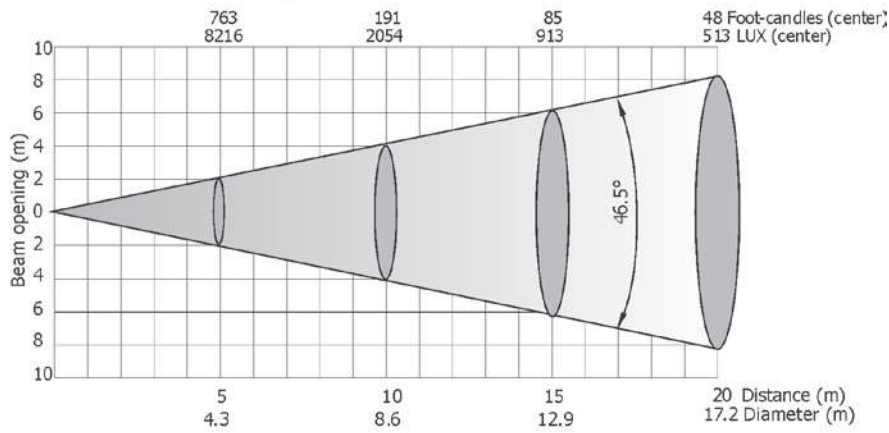
Photometric charts

Lamp: MSR Platinum 35
 Beam angles are mesured at free hole

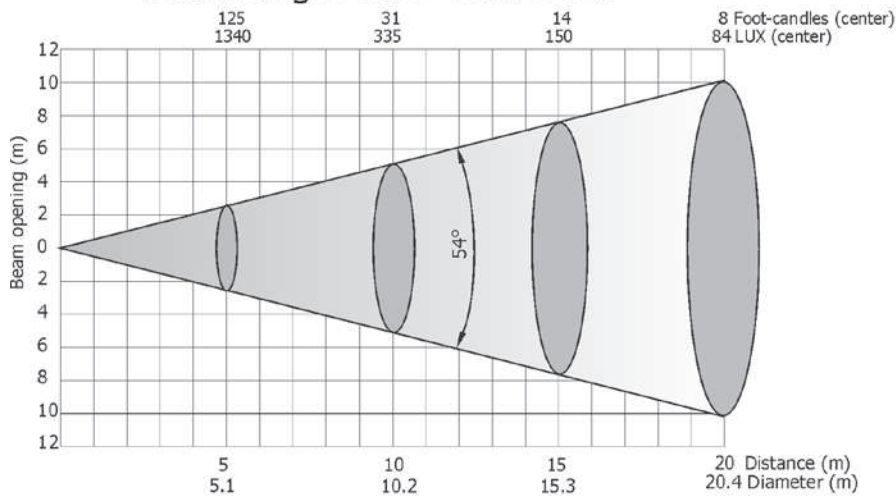


Lamp: MSR Platinum 35
 Beam angles are mesured at free hole

Beam angle 46.5° - Max. Zoom



Beam angle 46.5° with frost



Beam angle 46.5° with frost, distance=5m

